

## 2.4-2.5GHz 19dBi Hight Gain Directional Panel WLAN Antenna

### APPLICATIONS AND FEATURES

#### Applications:

- 2.4-2.5 GHz ISM Band
- IEEE 802.11b, 802.11g, 802.11n Wireless LAN
- Directional and multipoint applications
- Bluetooth
- Public Wireless Hotspot
- WiFi, RFID
- Wireless Video Systems

#### Features :

- Superior performance
- The weight is light
- Good appearance designs
- DC Short lightning protection
- Installed for vertical or horizontal polarization
- Behind and support is an aluminum
- support is up and down or so to adjust
- RoHS Compliant



### SPECIFICATIONS:

#### Electrical Specifications

Frequency Range	2400 - 2500 MHz
V.S.W.R	$\leq 1.5$
Return Loss	$\geq -15\text{db}$
Antenna Type	PCB patch array
Gain	19dBi
Polarization	Vertical or Horizontal
Maximum Power	50W
Vertical Beam-with	17°
Horizontal Beam-with	17°
Impedance	50 Ohm
Connector	N-Female

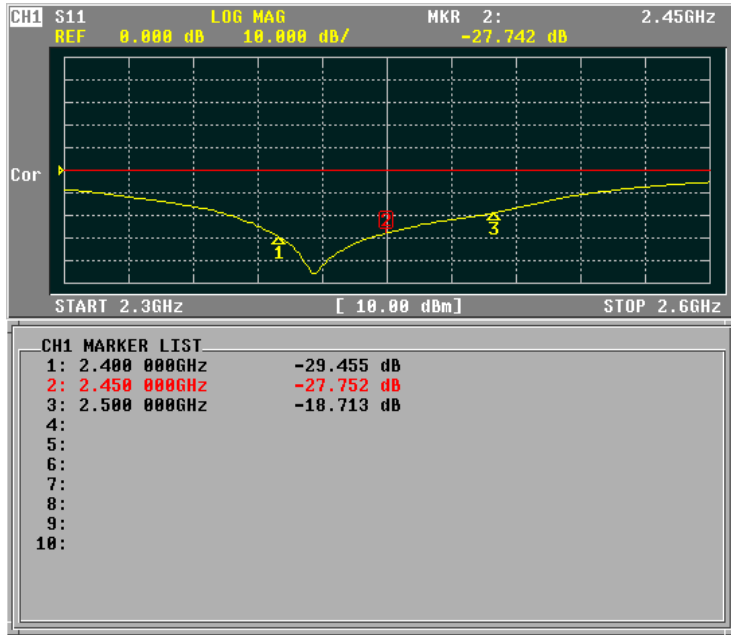
#### Mechanical Specifications

Length	370x370mm
Depth	25mm
Weight	800g
Wind Survival	> 120 MPH
Radome Material	ABS + UV resistance
Radome Color	White
Antenna Back Plate	Aluminum
Operating Temperature	-40°C to +80°C
Down-tilt (Aluminum)	"L " Style 0-30°
Mounting / Clamps	32 – 45mm / U-bolt
RoHS Compliant	Yes

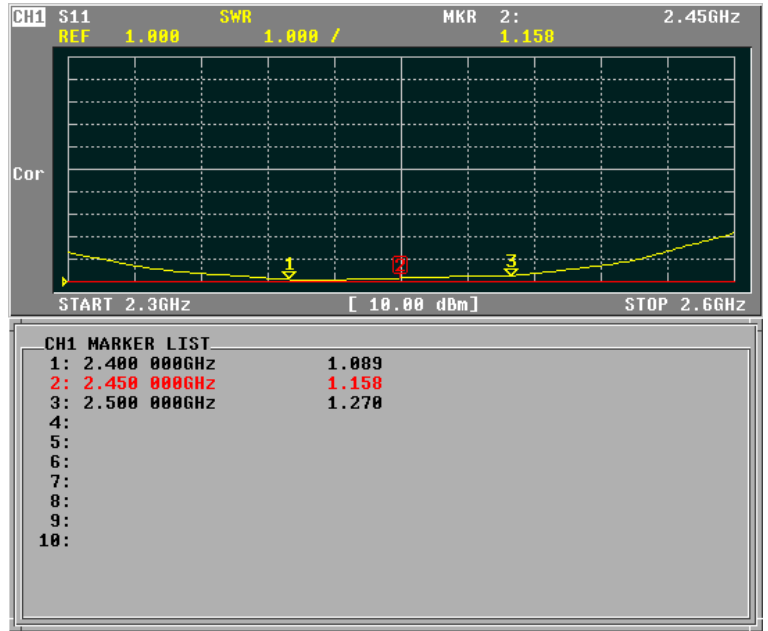
# 1SMF-2419W Test Report

## 2.4-2.5GHz 19dBi High Gain Directional Panel WLAN Antenna

### Return loss & V.S.W.R

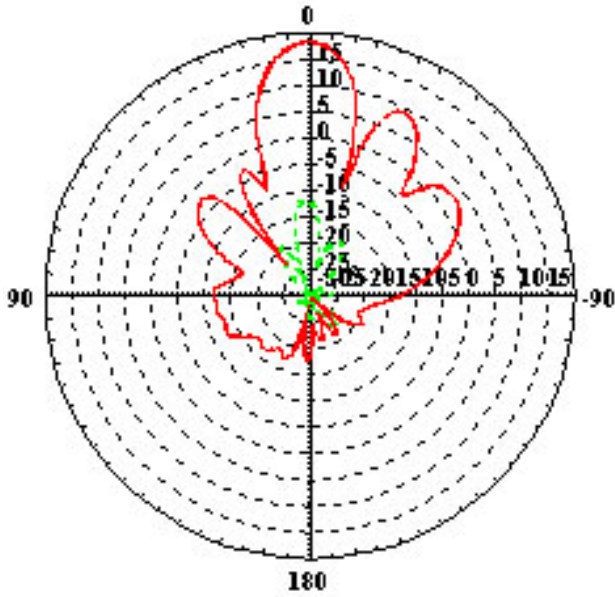


Return loss



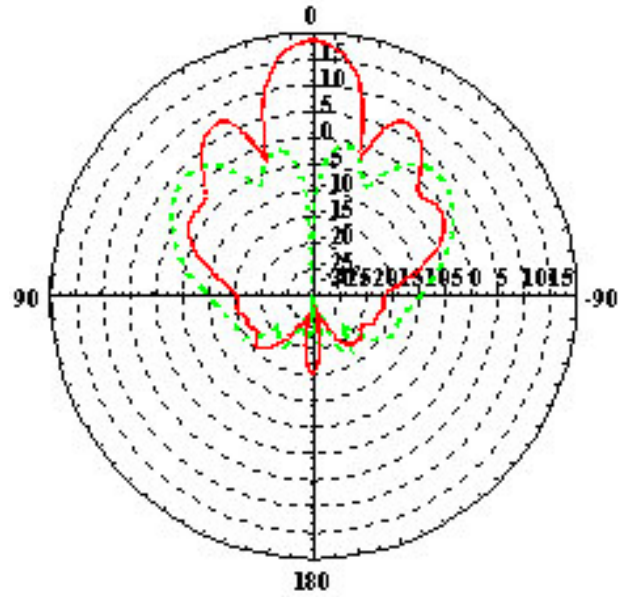
V.S.W.R

### Antenna Vertical & Horizontal Pattern



Vertical

E-plane co-pol ----- 3-dB beam-with=17°

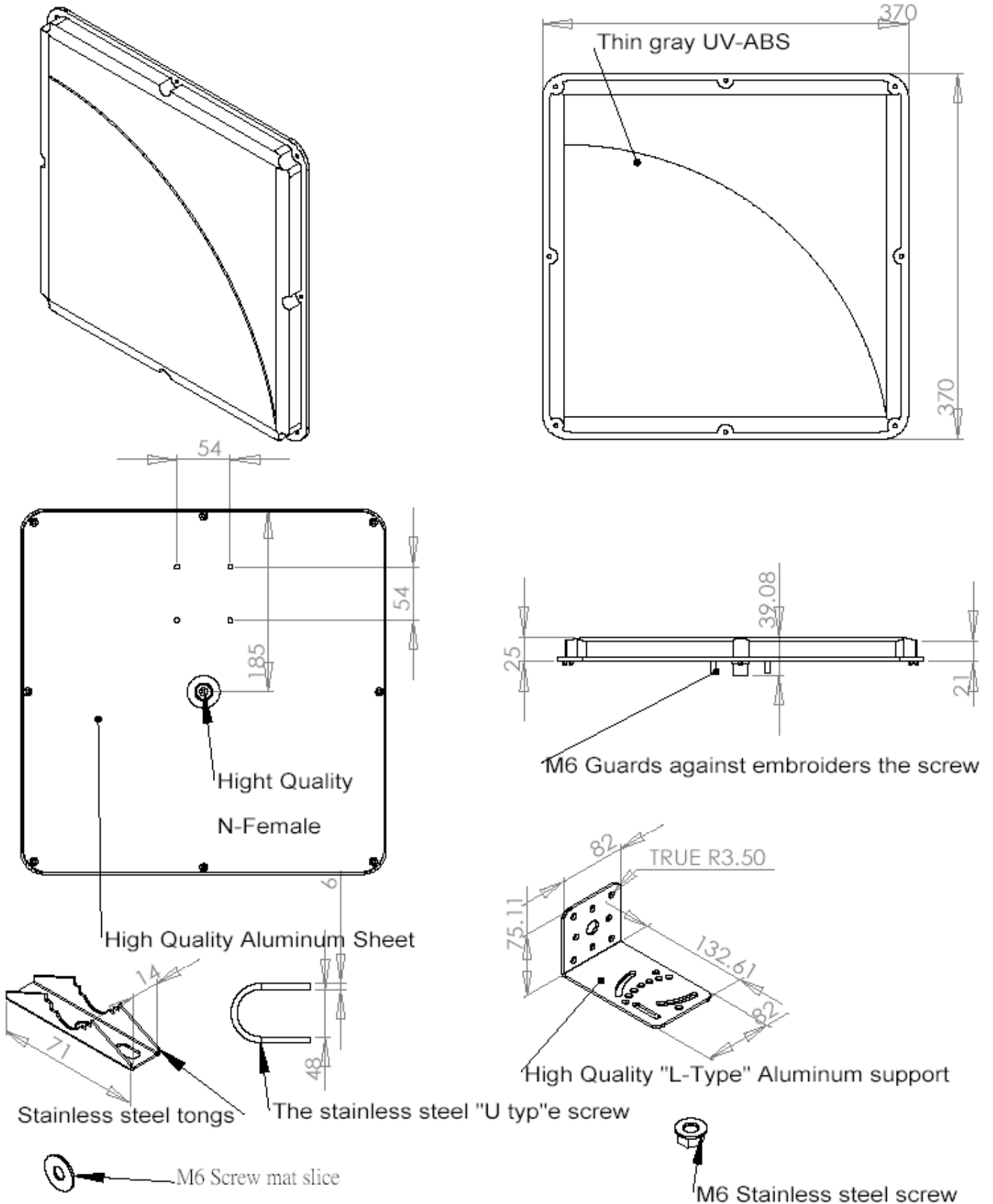


Horizontal

H-plane co-pol ----- 3-dB beam-with=17°

# 1SMF-2419W

# Antenna Outward Appearance Chart



Product name	Amount	Remarks
Antenna	1	ABS and Aluminum
"L" type support	1	Aluminum
Tongs	2	Stainless steel
M6 "U" type screw	2	Stainless steel
M6 screw	8	Stainless steel
M6 Screw mat slice	8	Stainless steel

