



Metrologic®
We really work for you.™

MS7120 Orbit®

Orbit® provides aggressive scanning at the face of the scan window through its wide head design and patented omnidirectional scan pattern.

Designed for applications where counter space is at a premium, Orbit is the ideal presentation scanner for convenience, liquor and specialty retail stores. In addition, Orbit's contoured shape enables hand-held scanning of large, bulky items. For added flexibility in scanning various-sized objects, the scanning head can be tilted within a 30° range.

With a patented 20-line scan pattern, easy-to-find sweet spot and scan speed of 1,067 scans per second, Orbit increases first pass read rate for maximum employee efficiency and customer satisfaction. Lightweight and rugged, Orbit is small in size but BIG in performance.

Orbit utilizes user-replaceable cables, MetroSelect® one-code programming and MetroSet2® for easy configuration. Data editing or "parsing" is also a standard feature. Parsing enables the encoded information to be manipulated to meet the host system's requirements. In addition, to make the installation process easier Orbit is OPOS and JPOS compatible.

Orbit is the recipient of multiple design awards including the IDEA design award and GOOD DESIGN award. With its innovative design the scanner aesthetically complements any solution.

www.metrologic.com

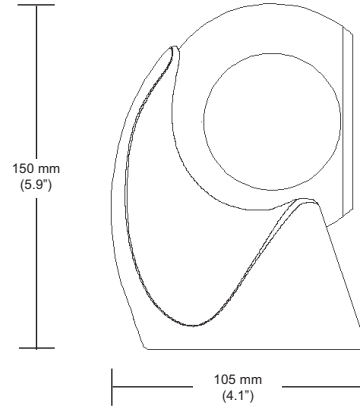
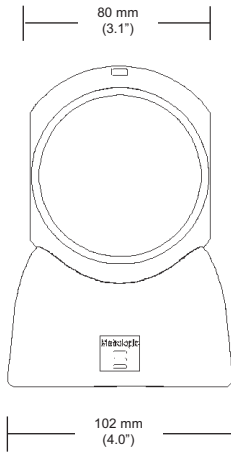


FEATURES

- 20 scan line omni-directional pattern
- Sweet Spot Scanning
- Adjustable scan head
- Data parsing
- Automatic scanning operation

BENEFITS

- Provides aggressive scanning as an additional benefit to hand presentation applications
- Engineered "sweet spot" to optimize scan performance and first pass read rate
- Ability to tilt scanner 30° for targeted scanning or larger products
- Enables encoded information to be manipulated to meet the host system's requirements
- Simply present a bar code and the unit scans in a single pass



OPERATIONAL

Light Source	Visible Laser Diode 650 nm ± 10 nm
Laser Power	0.663 mW (peak)
Decode Capability	Autodiscriminates all standard 1-D and RSS-14 bar codes; for other symbologies call Metrologic
System Interfaces	PC Keyboard Wedge, RS232, OCIA, Light Pen Emulation, IBM 468X/469X, Stand Alone Keyboard, USB
Number Characters Read	Up to 80 data characters
Beeper Operation	7 tones or no beep
Indicators (LED)	Green* = laser on, ready to scan Red* = good read <small>*Indicator colors can be reversed</small>

MECHANICAL

Height	150 mm (5.9")
Depth	105 mm (4.1")
Width - Orb	80 mm (3.1")
Width - Base	102 mm (4.0")
Weight	410 g (14.5 oz)
Termination	10 pin modular RJ45
Cable	Standard 2.1 m (7') straight; optional 2.7 m (9') coiled; for other cables call Metrologic
Tilt - Orb	30° vertical

ELECTRICAL

Input Voltage	5 VDC ± 0.25 V
Power	1.0 W typical @ 5 VDC
Operating Current	200 mA
DC Transformers	Class 2; 5.2 V @ 650 mA
Laser Class 1	EN: 60825-1:1994 + A11:1996 + A2:2001
EMC	Class B: FCC Part 15, ICES-003, EN 55022 Class B

ENVIRONMENTAL

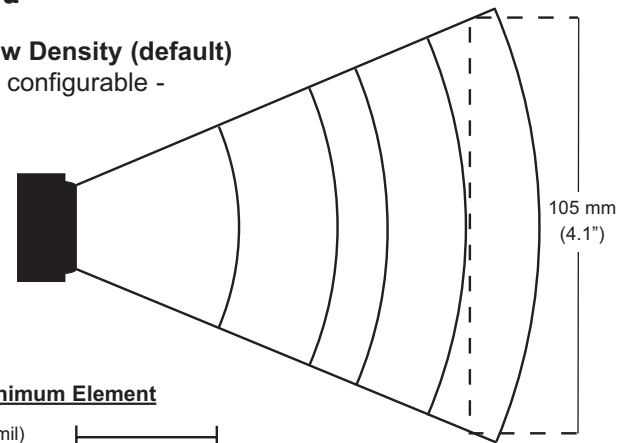
Operating Temperature	0°C to 40°C (32°F to 104°F)
Storage Temperature	-40°C to 60°C (-40°F to 140°F)
Humidity	5% to 95% relative humidity, non-condensing
Light Levels	Up to 4842 Lux (450 footcandles)
Shock	Designed to withstand 1.2 m (4.0') drops
Contaminants	Sealed to resist airborne particulate contaminants
Ventilation	None required

SCAN PERFORMANCE

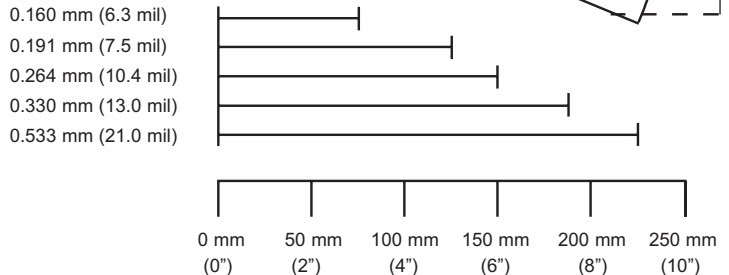
Depth of Scan Field (programmable)	0 mm - 215 mm (0" - 8.5") for 0.33 mm (13 mil) bar codes
Width of Scan Field	60 mm (2.4") @ face; 105 mm (4.1") @ 216 mm (8.5")
Scan Speed	1067 scan lines per second
Scan Pattern	5 fields of 4 parallel lines (omnidirectional)
Number of Scan Lines	20
Minimum Bar Width	0.13 mm (5.2 mil)
Print Contrast	35% minimum reflectance difference
Roll, Pitch, Yaw	360°, 60°, 60°

Scan Area

Optimal Low Density (default)
- user configurable -



Bar Code Minimum Element



Product Colors Available



MS7120 is available in a variety of other colors with minimum quantity purchase



Sunrise 2005 Compliant



www.metrologic.com
ISO 9001:2000

Metrologic Instruments, Inc. | **Worldwide Headquarters**
90 Coles Road | Blackwood, NJ 08012-4683 | info@metrologic.com
Telephone 856-228-8100 | Fax 856-228-6673

Asian Headquarters Tel. 65.6842.7155 info@sg.metrologic.com
European Headquarters Tel. 49.89.89019.0 info@eu.metrologic.com
The Americas Headquarters Tel. 1.800.ID.METRO info@us.metrologic.com

Specifications subject to change without notice.
Printed U.S.A., Copyright August 2005
Metrologic, All rights reserved.



DS7120